

Figure 5. Manganin Pressure Transducer. Four pi-shaped manganin wires are shown imbedded in epoxy. The change in voltage is monitored as the shock passes over the wires. Current is held constant. (After Keough<sup>27</sup>)

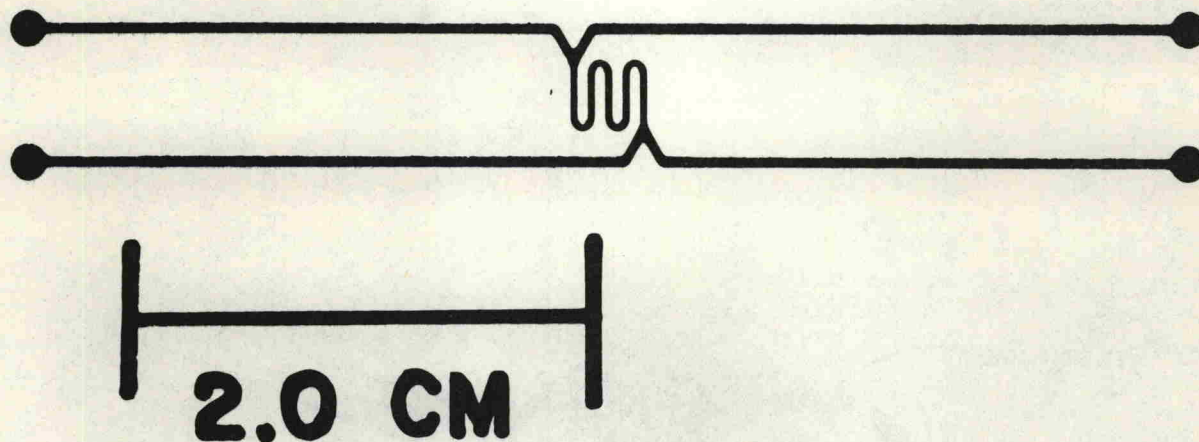


Figure 6. Manganin Grid for use as In-Material Gauge. Thickness is  $0.75 \times 10^{-3}$  in. Resistance of active element is about 1.5 ohms.

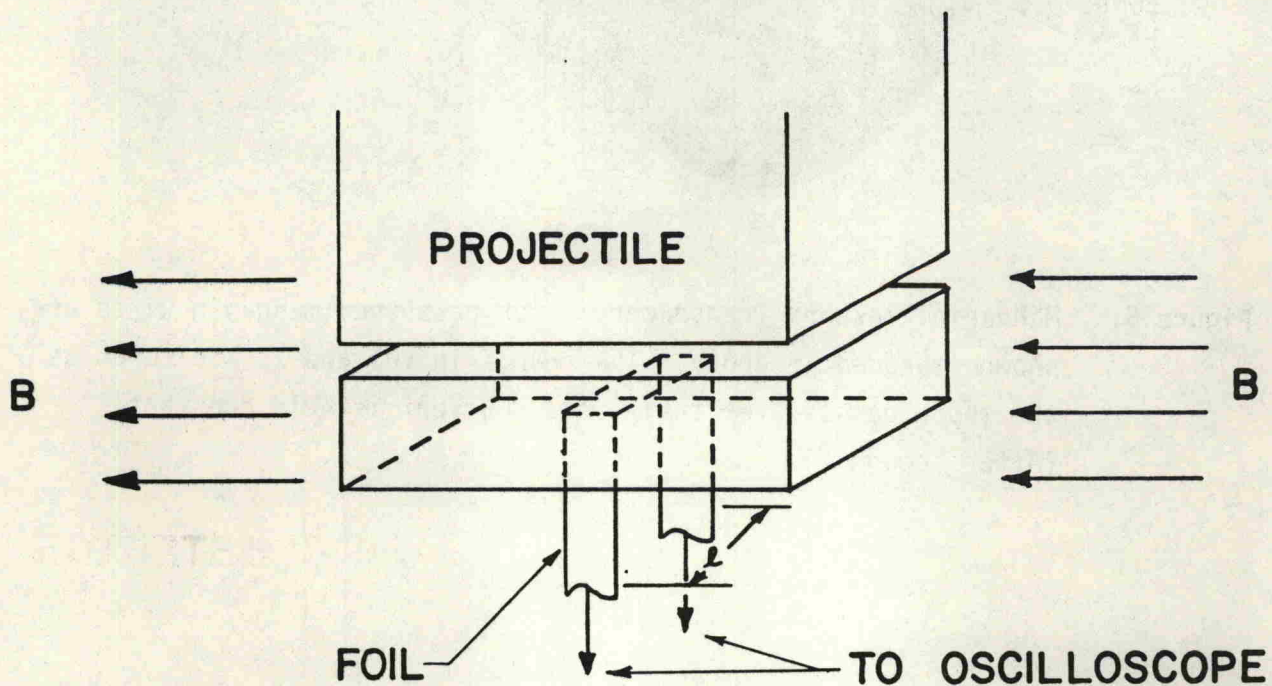


Figure 7. Schematic of Electromagnetic Velocity Technique. Motion of foil imbedded in insulator is monitored by observing EMF developed.